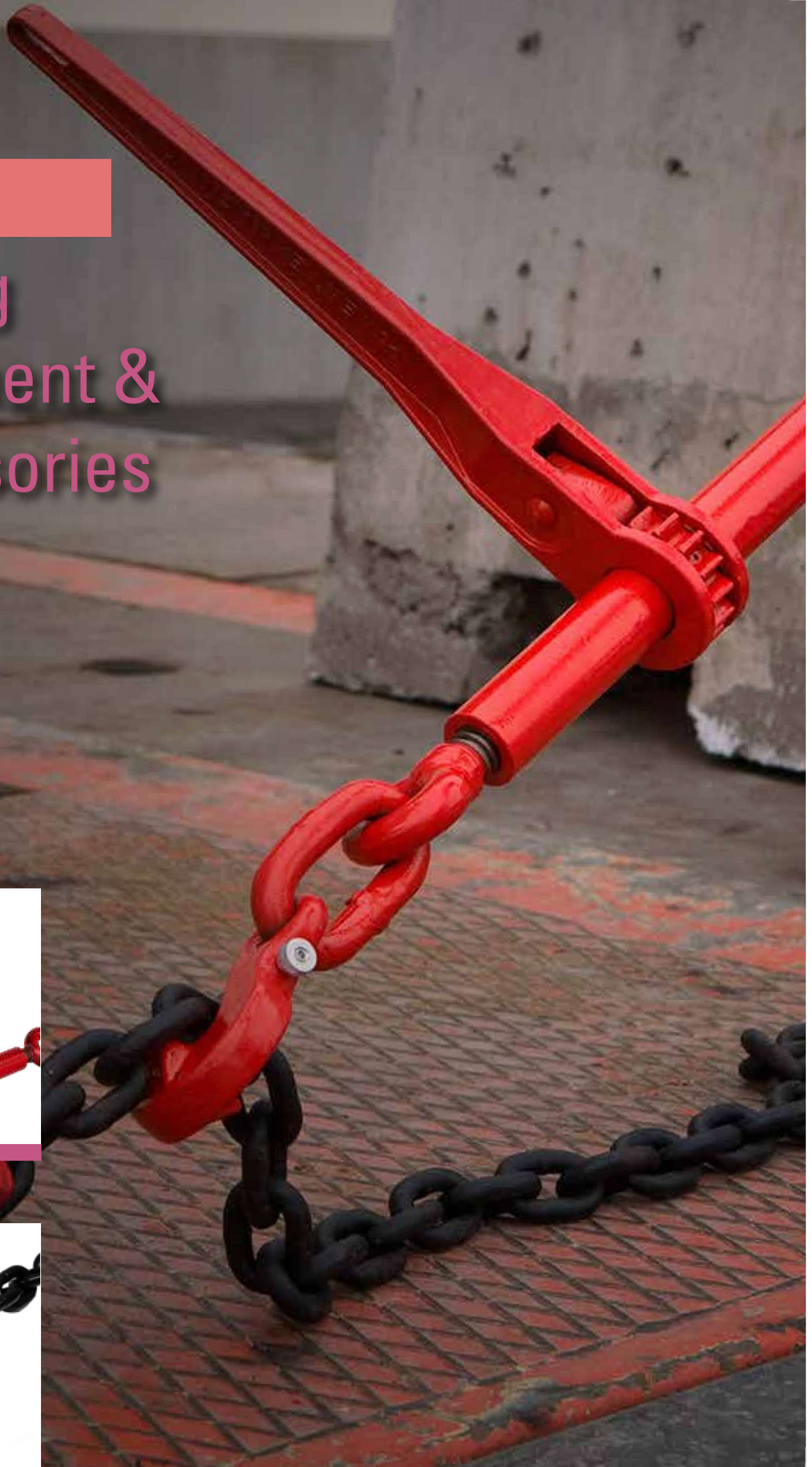
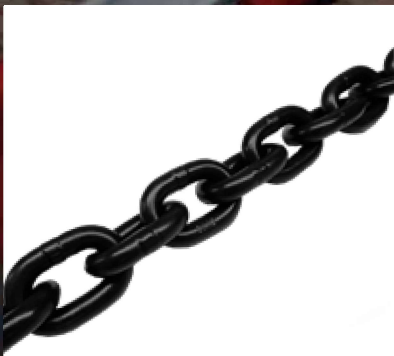
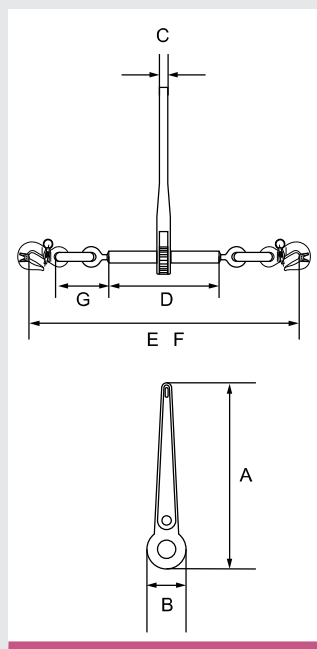




Lashing Equipment & Accessories



Ratchet Type Loadbinder BS EN 12195-3

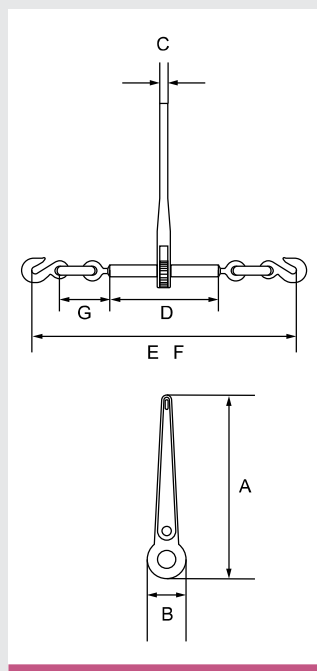


Product Code	Chain Dia mm	A mm	B mm	C mm	D mm	E mm	F mm	G mm
LBREN8	8	355	66	16	252	742	573	11
LBREN10	10	355	66	16	252	789	620	13
LBREN13	13	355	66	16	252	866	703	17
LBREN16	16	355	66	16	252	892	733	20

Chain Dia mm	Take Up mm	L.C. kN	M.B.F. kN	Weight kgs
8	169	40	80.4	4.5
10	169	63	126	5.4
13	163	100	212	7.7
16	159	160	322	10.2

- Drop forged, alloy steel, quenched and tempered.
- Red painted finish.
- Meets the performance requirements of BS EN 12195-3.
- Fitted with reinforced grab hooks complete with safety securing pin.
- Special safety devices prevent the threads from coming out.
- Marked with L.C, M.B.F, manufacturers ID, size, product ID mark.
- Certification available [2.1](#) [2.2](#)

Standard Ratchet Type Loadbinder

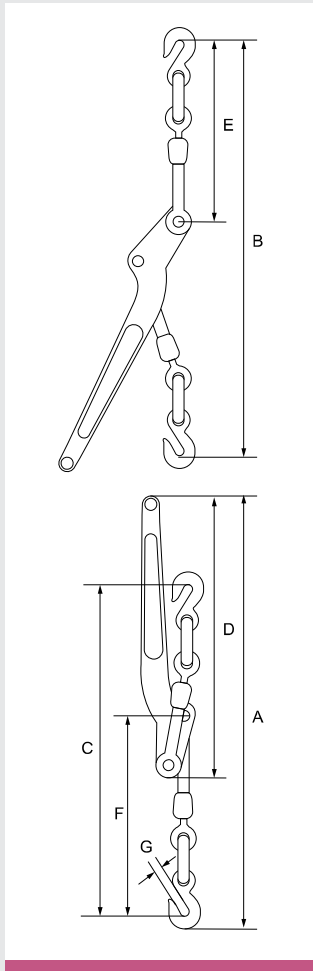


Product Code	Chain Dia mm	A mm	B mm	C mm	D mm	E mm	F mm	G mm
LBR810	8 - 10	355	66	16	254	750	580	13
LBR1013	10 - 13	355	66	16	254	770	600	16
LBR1316	13 - 16	355	66	16	254	840	685	19

Chain Dia mm	Take Up mm	L.C. kgs	M.B.L. kgs	Weight kgs
8 - 10	170	2,450	8,575	4.82
10 - 13	170	4,200	14,700	5.92
13 - 16	155	5,900	20,650	7.85

- Drop forged, cast steel, quenched and tempered.
- Red painted finish.
- Fitted with grab hooks.
- Special securing device prevents threads coming out.
- Marked with L.C, manufacturers ID, size and product ID mark.
- Certification available [2.1](#) [2.2](#)

Standard Lever Type Loadbinder

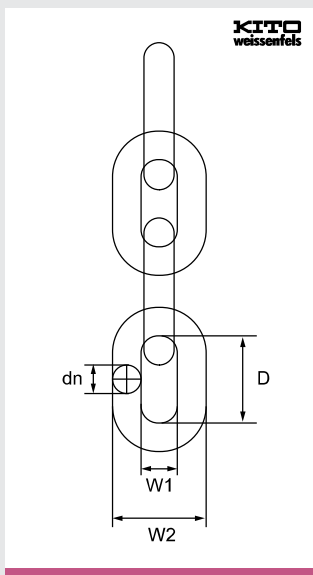


Product Code	Chain Dia inches	A mm	B mm	C mm	D mm	E mm	F mm	G mm
LBDF68	1/4 - 5/16	470	440	360	290	210	205	9
LBDF810	5/16 - 3/8	630	580	485	406	275	275	13
LBDF1013	3/8 - 1/2	715	662	548	475	320	310	15
LBDF1316	1/2 - 5/8	794	756	635	533	372	349	18

Chain Dia inches	Take Up mm	L.C lbs	P.L. lbs	M.B.L. lbs	Weight kgs
1/4 - 5/16	95	2,200	4,400	7,800	1.6
5/16 - 3/8	114	5,400	10,800	19,000	3.18
3/8 - 1/2	114	9,200	18,400	33,000	5.66
1/2 - 5/8	120	13,000	26,000	46,000	8.93

- Drop forged, carbon steel, quenched and tempered.
- Red painted finish.
- Fitted with hooks.
- Marked with L.C, manufacturers ID, size and product ID mark.
- Certification available [2.1](#) [2.2](#)

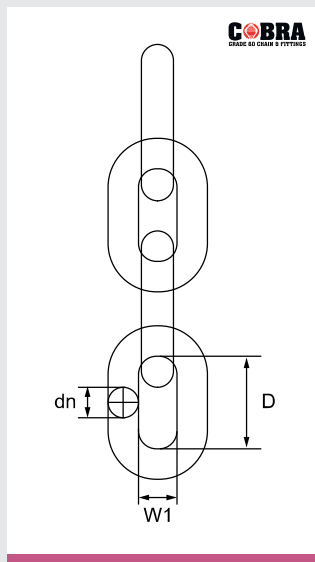
Grade 8 Short Link Chain



Product Code	dn mm	D mm	W1 (min) mm	W2 (max) mm	W.L.L. t	M.P.F. kN	M.B.F. kN	Weight kgs/mtr
G8C7	7	21	9.1	25.9	1.5	38.5	61.6	1.17
G8C8	8	24	10.4	29.6	2	50.3	80.4	1.51
G8C10	10	30	13	37	3.15	78.5	126	2.23
G8C13	13	39	16.9	48.1	5.3	133	212	3.9
G8C16	16	48	20.8	59.2	8	201	322	5.79
G8C20	20	60	26	74	12.5	314	503	9.21
G8C22	22	66	28.6	81.4	15	380	608	11.2

- Alloy steel heat treated, quenched and tempered.
- Black painted finish.
- Conforms to BS EN 818-2.
- Certification available [2.1](#) [DoC](#)

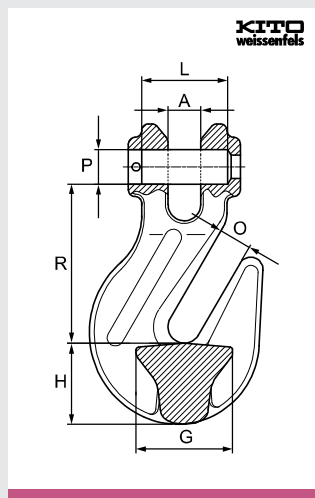
GT Cobra Grade 80 Short Link Chain



Product Code	Dn mm	D mm	W1 mm	W.L.L. t	M.P.F. kN	M.B.F. kN	Weight kgs/mtr
G80C7	7	21	9.8	1.5	38.5	61.6	1.2
G80C8	8	24	10.8	2	50.3	80.4	1.85
G80C10	10	30	14	3.15	78.5	126	2.2
G80C13	13	39	17.5	5.3	133	212	3.8
G80C16	16	48	21.5	8	201	322	5.7
G80C20	20	60	27	12.5	314	503	9
G80C22	22	66	30	15	380	608	10.9

- Alloy steel, quenched and tempered.
- Black lacquered finish.
- Meets the W.L.L. performance requirements of BS EN 818-2.
- Minimum breaking load is 4 times the W.L.L.
- Marked with the material grade, manufacturers ID and traceability code.
- Certification available [2.1](#) [DoC](#)

Grade 8 Clevis Grab Hook

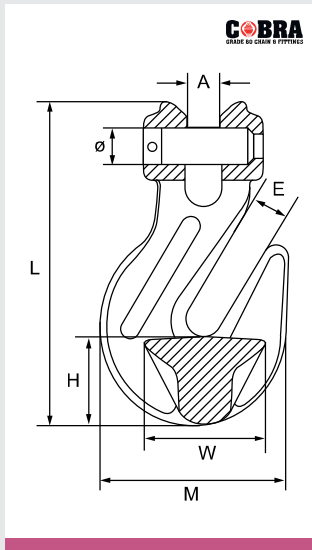


Product Code	Part No.	Chain Dia mm	A mm	G mm	H mm	O mm	R mm	P x L mm
G8CGH8	WA90	7/8	9	30	24	10	50	9 x 23
G8CGH10	WA91	10	13	44	31	13	72	13 x 31.5
G8CGH13	WA92	13	17	53	38	17	88	16 x 42
G8CGH16	WA93	16	21	64	44	20	102	21 x 51.5
G8CGH20	WA94	20	24	85	53	24	117	24 x 61.5
G8CGH22	WA95	22	26	97	62	27	139	26 x 72

Chain Dia mm	W.L.L. t	M.P.F. kN	M.B.F. kN	Weight kgs
7/8	2	50.3	80.4	0.3
10	3.15	78.5	126	0.75
13	5.3	133	212	1.4
16	8	201	322	2.5
20	12.5	314	503	4.3
22	15	380	608	6.4

- Alloy steel, quenched and tempered.
- Red painted finish.
- Conforms to BS EN 1677-1.
- Suitable for use with grade 8 chains.
- Clevis fitting enables direct connection to chain.
- Our grab hooks can be used as a shortening device without any reduction of W.L.L. of the chain sling capacity.
- Certification available [2.1](#) [3.1](#) [DoC](#)
- The 'T' shape in the bowl of the hook supports the chain and helps prevent possible deformation of the link when used as a shortening device.
- For correct safe use the clevis grab hook must be assembled to the master link via three links of chain and connector.

GT Cobra Grade 80 Clevis Grab Hook

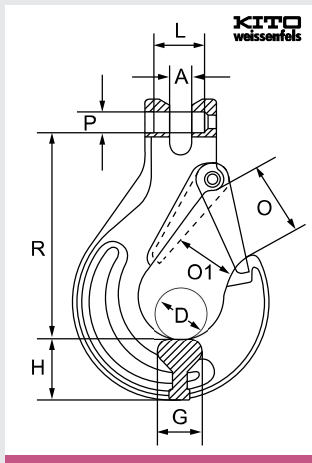


Product Code	Part No.	Chain Dia mm	A mm	E mm	H mm	L mm	M mm	W mm	ø mm
G80CGH8	K1751	7/8	9.5	10.5	21	89	53	33.5	9
G80CGH10	K1752	10	12.5	13	29	126	71	46	12.5
G80CGH13	K1753	13	15	16.5	42.5	163.5	90	57.5	15.8
G80CGH16	K1754	16	18.5	19	45.5	183.5	113	74	19.7
G80CGH20	K1755	20	23	24	56	219	143	74	24
G80CGH22	K1756	22	27	27	68.5	254	160	90	26

Part No.	Chain Dia mm	W.L.L. t	M.P.L. t	M.B.L. t	Weight kgs
K1751	7/8	2	4	8	0.32
K1752	10	3.15	6.3	12.6	0.73
K1753	13	5.3	10.6	21.2	1.6
K1754	16	8	16	32	2.8
K1755	20	12.5	25	50	5
K1756	22	15	30	60	6.3

- Alloy steel, quenched and tempered.
- Red painted finish.
- Meets the W.L.L. performance requirements of BS EN 1677-1.
- Marked with material grade, manufacturers ID, size, product ID mark and traceability code.
- Clevis fitting enables direct connection to chain.
- Certification available [2.1](#) [DoC](#)

Grade 8 Clevis Sling Hook c/w Safety Catch

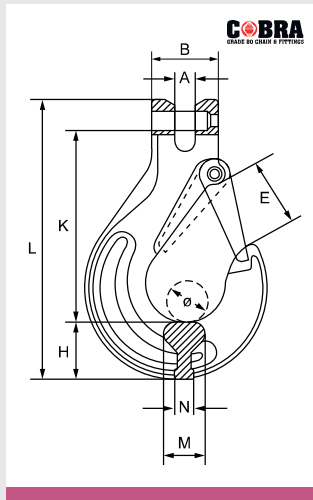


Product Code	Chain Dia mm	Part No.	A mm	D mm	G mm	H mm	O mm	O1 mm	R mm	P x L mm
G8CSH6	6	WA79S	7	18	16.5	20	25	19	69	7.4 x 16.5
G8CSH8	7/8	WA80S	9	25	19	28	32	26	94.5	9.6 x 23
G8CSH10	10	WA81S	11.5	30	25	33	39	31	109	12.5 x 29.5
G8CSH13	13	WA82S	14.5	38	30	40	48	39	135	16 x 37
G8CSH16	16	WA83S	17.5	44	37	47	55	45	155	20 x 52
G8CSH20	20	WA84S	23	52	51	52	61	53	183	24 x 73
G8CSH22	22	WA85S	24.5	60	50	62	71	61	212	27 x 71

Chain Dia mm	W.L.L. t	M.P.F. kN	M.B.F. kN	Weight kgs
6	1.12	28.3	45.2	0.27
7/8	2	50.3	80.4	0.53
10	3.15	78.5	126	0.95
13	5.3	133	212	1.67
16	8	201	322	3
20	12.5	248	496	5.4
22	15	298	596	7

- Alloy steel, quenched and tempered.
- Red painted finish.
- Conforms to BS EN 1677-2.
- Clevis fitting enables direct connection to chain.
- Certification available [2.1](#) [3.1](#) [DoC](#)

GT Cobra Grade 80 Clevis Sling Hook c/w Safety Catch

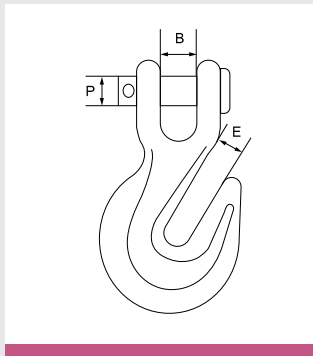


Product Code	Part No.	Chain Dia mm	A mm	B mm	E mm	H mm	K mm	L mm	M mm	N mm	Ø mm
G80CSH8	K1501	7/8	9.5	37	29	25	86	129.5	18	12	37
G80CSH10	K1502	10	12.5	49	39	31	96.5	158	23	16	46
G80CSH13	K1503	13	16.5	55.5	47	42.5	128	198.3	27.5	15	56
G80CSH16	K1504	16	21.5	70.5	55	54	148	237	35	24	60
G80CSH20	K1505	20	24	77	61	58	181	277.5	42	32	79
G80CSH22	K1506	22	27	91	72	62	204.5	320	50	36	101

Part No.	Chain Dia mm	W.L.L. t	M.P.L. t	M.B.L. t	Weight kgs
K1501	7/8	2	4	8	0.53
K1502	10	3.15	6.3	12.6	0.98
K1503	13	5.3	10.6	21.2	1.81
K1504	16	8	16	32	3.54
K1505	20	12.5	25	50	5.82
K1506	22	15	30	60	9.17

- Alloy steel, quenched and tempered.
- Red painted finish.
- Meets the W.L.L. performance requirements of BS EN 1677-2.
- Marked with material grade, manufacturers ID, size, product ID mark and traceability code.
- Clevis fitting enables direct connection to chain.
- Certification available [2.1 DoC](#)

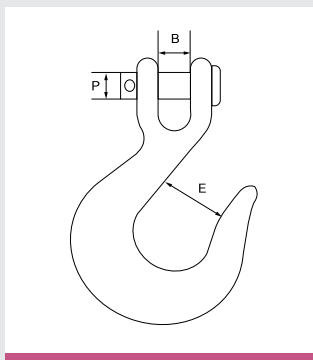
Clevis Grab Hook Lashing Type



Product Code	Chain Dia mm	B mm	E mm	P mm	Weight kgs
EGCGH8	8	10	11	11	0.28
EGCGH10	10	13.5	13	11	0.47
EGCGH13	13	19	15.5	16	0.5
EGCGH16	16	23	29.8	19	0.6

- Forged alloy steel.
- Electro galvanised finish.
- Untested, not to be used for lifting.
- Clevis fitting enables direct connection to chain.
- Certification available [2.1](#)

Clevis Slip Hook Lashing Type



Product Code	Chain Dia mm	B mm	E mm	P mm	Weight kgs
EGCSH10	10	13.5	33	11.5	0.51
EGCSH13	13	19	40	16	1.25

- Forged alloy steel.
- Electro galvanised finish.
- Untested, not to be used for lifting.
- Clevis fitting enables direct connection to chain.
- Certification available [2.1](#)